



Percentages

Question Paper 6

Level	IGCSE
Subject	Maths (0580)
Exam Board	Cambridge International Examinations (CIE)
Paper Type	Extended
Topic	Number
Sub-Topic	Percentages
Booklet	Question Paper 6

Time Allowed: 63 minutes

Score: /52

Percentage: /100

Grade Boundaries:

A*	A	B	C	D	E	U
>85%	75%	60%	45%	35%	25%	<25%

- 1 In a sale, the cost of a coat is reduced from \$85 to \$67.50 .

Calculate the percentage reduction in the cost of the coat.

Answer % [3]

2 A film company uses 512 actors in a film.
The actors are in the ratio men : women : children = 7 : 11 : 14.

(a) (i) Show that there are 224 children in the film.

Answer(a)(i)

[2]

(ii) Find the number of men in the film.

Answer(a)(ii) [1]

(b) Every working day, each child is given \$1 to spend.
Each child works for 45 days.

Calculate the total amount that the film company gives the children to spend.
Give your answer correct to the nearest \$100.

Answer(b) \$..... [2]

(c) The children have lessons every day in groups of no more than 12.

Calculate the smallest possible number of groups.

Answer(c) [2]

(d) The film costs four million and ninety three thousand dollars to make.

(i) Write this number in figures.

Answer(d)(i) [1]

(ii) Write your answer to **part (d)(i)** in standard form.

Answer(d)(ii) [1]

(e) A DVD copy of the film costs \$2.75 to make.
The selling price is \$8.20 .

Calculate the percentage profit.

Answer(e)% [3]

- 3 (a) Alfonso has \$75 to spend on the internet.
He spends some of the money on music, films and books.

- (i) The money he spends on music, films and books is in the ratio

$$\text{music : films : books} = 5 : 3 : 7.$$

He spends \$16.50 on music.

Calculate the **total** amount he spends on music, films and books.

Answer(a)(i) \$ [3]

- (ii) Find this total amount as a percentage of the \$75.

Answer(a)(ii) % [1]

- (b) The download times for the music, films and books are in the ratio

$$\text{music : films : books} = 2 : 9 : 1.$$

The **total** download time is 3 hours and 33 minutes.

Calculate the download time for the films.

Give your answer in hours, minutes and seconds.

Answer(b) hours minutes seconds [3]

- (c) The cost of \$16.50 for the music was a reduction of 12% on the original cost.

Calculate the original cost of the music.

Answer(c) \$ [3]

- 4 There are three different areas, A, B and C, for seating in a theatre.
The numbers of seats in each area are in the ratio $A:B:C = 11:8:7$.
There are 920 seats in area B.

(a) Show that there are 805 seats in area C.

Answer(a)(i)

[1]

(ii) Write the number of seats in area B as a percentage of the total number of seats.

Answer(a)(ii) % [2]

(b) The cost of a ticket for a seat in each area of the theatre is shown in the table.

Area A	\$11.50
Area B	\$15
Area C	\$22.50

For a concert 80% of area B tickets were sold and $\frac{3}{5}$ of area C tickets were sold.
The total amount of money taken from ticket sales was \$35 834.

Calculate the number of area A tickets that were sold.

Answer(b) [5]

(c) The total ticket sales of \$35 834 was 5% less than the ticket sales at the previous concert.

Calculate the ticket sales at the previous concert.

Answer(c) \$ [3]

- 5 (a) The running costs for a papermill are \$75 246.
This amount is divided in the ratio labour costs : materials = 5 : 1.

Calculate the labour costs.

Answer(a) \$ [2]

- (b) In 2012 the company made a profit of \$135 890.
In 2013 the profit was \$150 675.

Calculate the percentage increase in the profit from 2012 to 2013.

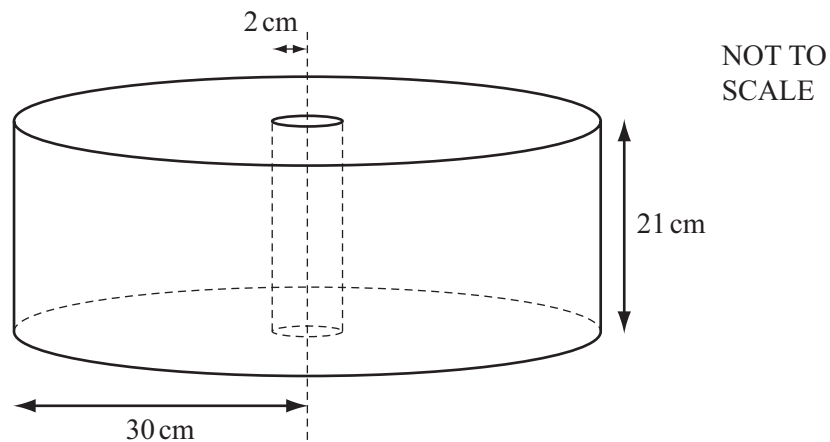
Answer(b) % [3]

- (c) The profit of \$135 890 in 2012 was an increase of 7% on the profit in 2011.

Calculate the profit in 2011.

Answer(c) \$ [3]

- (d)



Paper is sold in cylindrical rolls.
There is a wooden cylinder of radius 2 cm and height 21 cm in the centre of each roll.
The outer radius of a roll of paper is 30 cm.

- (i) Calculate the volume of paper in a roll.

Answer(d)(i) cm^3 [3]

(ii) The paper is cut into sheets which measure 21 cm by 29.7 cm.
The thickness of each sheet is 0.125 mm.

(a) Change 0.125 millimetres into centimetres.

Answer(d)(ii)(a) cm [1]

(b) Work out how many whole sheets of paper can be cut from a roll.

Answer(d)(ii)(b) [4]

www.megalecture.com